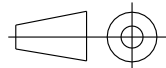
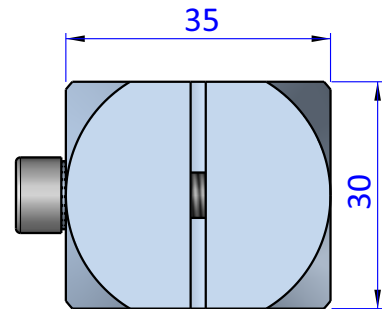
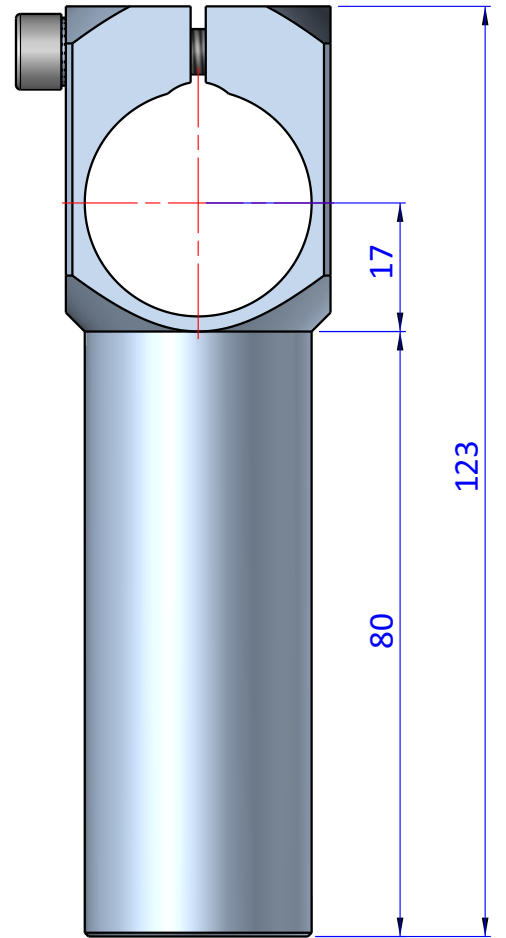
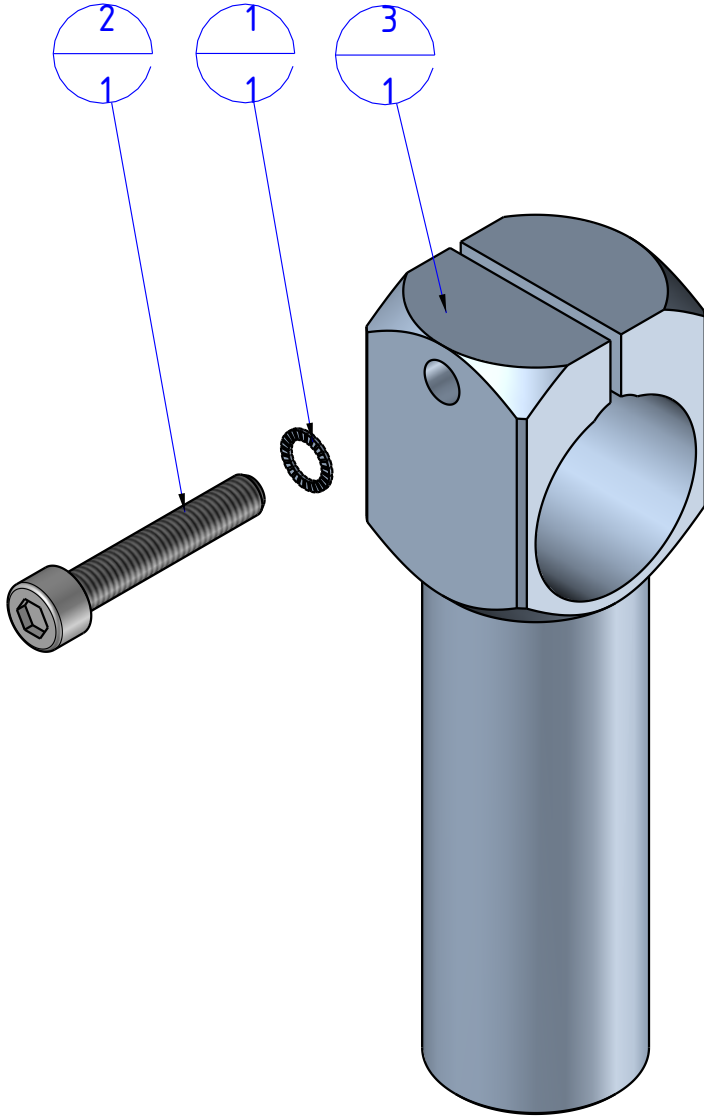


THE PROPERTY OF THE DRAWING IS ESTABLISHED BY LAW. IT IS FORBIDDEN TO PRODUCE OR SHOW IT TO THIRD PART, WITHOUT A WRITTEN AGREEMENT.

Item	Name	Q.ty
1	R.6.SCH	1
2	V.TCE6x35	1
3	WKA.30.30.80	1



DESIGNED FROM <b>FPS Automation</b>		REVIEW <b>A</b>
DATE <b>25/09/2020</b>	WEIGHT <b>0,169kg</b>	
CODE <b>CA.WKA.30.30.80</b>		

Format **A4**  
**UNI 936-76**

GENERAL TOLERANCE  
UNI - ISO 2768  
CLASSE **f**

DESCRIPTION  
**CA.WKA.30.30.80**